



MEYLE[®]
Products

MEYLE No.
013 026 0009/HD
013 026 0018/HD
013 220 0001/HD
013 220 0003/HD
013 220 0004/HD

Reference No.
611 200 12 01
646 200 03 01
611 200 10 01
611 200 11 01
647 200 01 01




Water pump

to fit

**Mercedes CDI models C-Class W/S 202, W/S 203
E-Class W/S 210, V-Class, Vito W 638,
Sprinter W 901, W 902, W 903, W 904**




as OE

 **Problem**

Short service life due to excessive strain

Effect

- Noise from worn bearings
- Coolant leaks

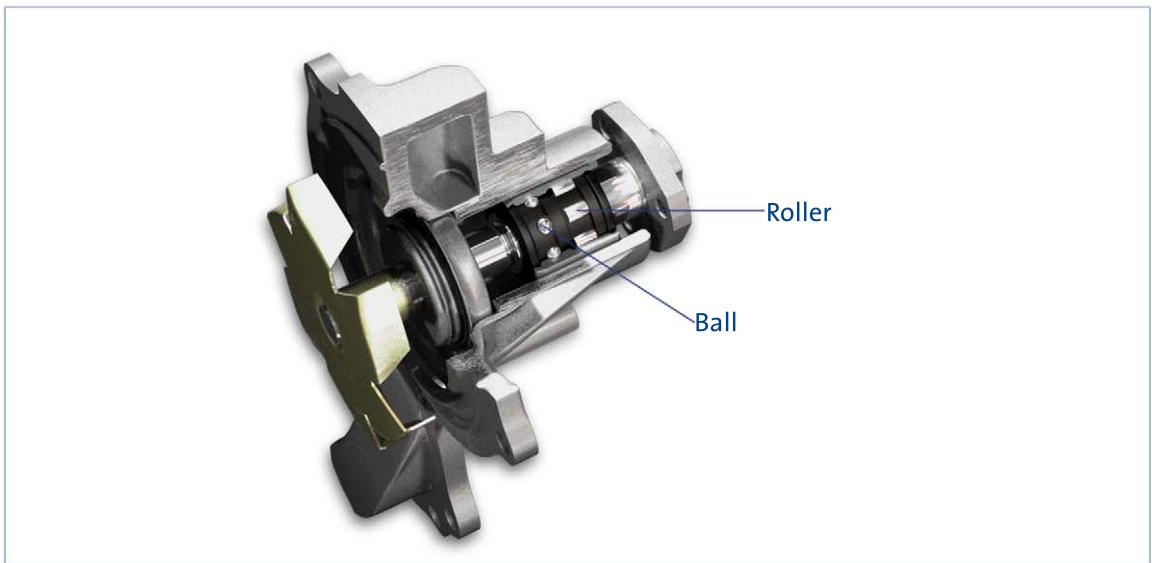
 **Solution**



- Use of quality ball/roller bearings
- Use of efficient gaskets

Advantage

Significantly longer service life and no leakage



MEYLE - Miles in Motion

© MEYLE Products® - Wulf Gaertner Autoparts AG • Lo3.2007
Merkurring 111 • 22143 Hamburg • Germany
contact@meyle.com • www.meyle.com